

### 2.5mm WTB (SFB) Series Connector:



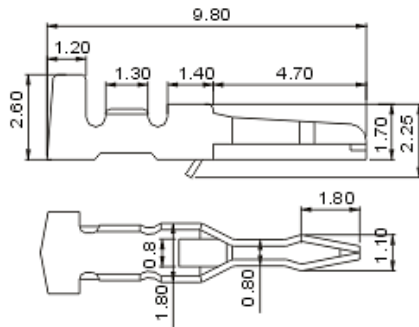
#### SPECIFICATIONS

Pitch: 2.5 mm  
 Useable Wire Range: AWG 28# ~ 22#  
 Current Rating: 3A, AC, DC  
 Voltage Rating: 250V, AC, DC  
 Operating Temperature: -25°C ~ +85°C  
 Relative Humidity: 93%, +40°C  
 Dielectric Withstanding: 1000V AC/minute  
 Insulator Resistance: ≥ 1000 MΩ at 100V

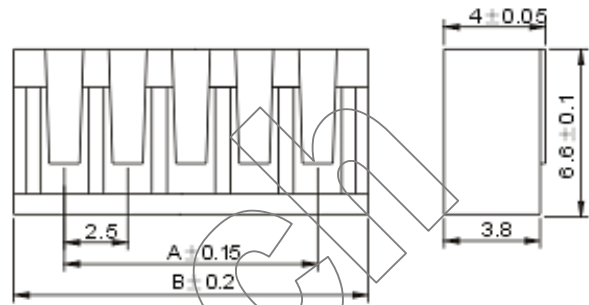
Material:  
 Housing: Nylon66/ Nylon6T, UL94V-0  
 Terminal: Phosphor Bronze

#### ROHS Compliance

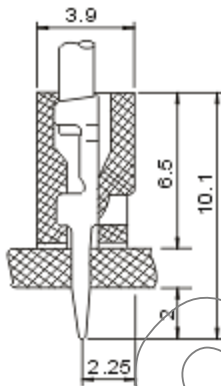
#### SFB-T



#### SFB-XP



#### ASSEMBLY DIAGRAM



Circuit	Part No.	Dimensions (mm)	
		A	B
2	SFB-2P	2.50	6.50
3	SFB-3P	5.00	9.00
4	SFB-4P	7.50	11.50
5	SFB-5P	10.00	14.00
6	SFB-6P	12.50	16.50
7	SFB-7P	15.00	19.00
8	SFB-8P	17.50	21.50
9	SFB-9P	20.00	24.00
10	SFB-10P	22.50	26.50
11	SFB-11P	25.00	29.00
12	SFB-12P	27.50	31.50
13	SFB-13P	30.00	34.00
14	SFB-14P	32.50	36.50
15	SFB-15P	35.00	39.00
16	SFB-16P	37.50	41.50